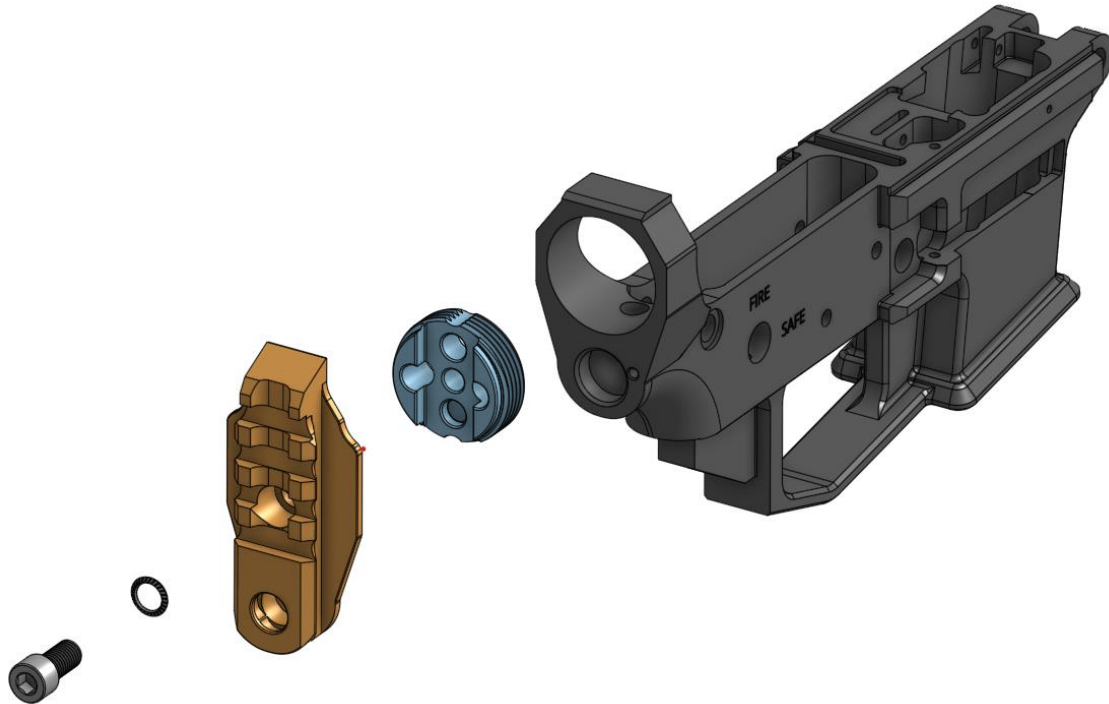




MDP-9® End Rail Installation Instructions

If you have any doubts about your ability to perform the following actions, stop immediately and seek assistance from a qualified gunsmith. If you need clarification on any of the steps below, please contact us to speak with a member of our support team.

The MDP-9® Upper Receiver is specifically designed to be used with the accompanying End Rail assembly. Do not attempt to use the MDP-9® Upper without first installing the included End Rail. Failure to do so could result in serious injury or death to you or others.



1. Start by removing the receiver extension (buffer tube), buffer detent, and buffer detent spring from your lower receiver.
2. Remove the ejector from the lower receiver. If you are upgrading an Angstadt Arms receiver, use a 3/32" punch to remove the two roll pins and ejector. These parts are no longer needed.
3. Install the rear takedown pin, takedown detent, and takedown detent spring in the lower receiver.
4. Screw the endcap into the lower receiver with the channel facing the rear. Please note: Use minimal force. If you encounter resistance, stop and inspect the threads on your receiver.
5. The endcap should sit just below flush with the rear of the lower receiver (typically about a ½ turn past flush). Ensure the channel on the endcap is vertically aligned.
6. Place the thread washer on the bolt and insert the bolt into the rear of the end rail.
7. Insert the end rail into the channel of the endcap by compressing the takedown detent spring.
8. Apply 12-foot pounds of torque to the bolt.
9. Insert the small plastic bumper into the top circle (12 o'clock position) of the endcap by pressing it into the hole. You may need to use a rubber armorer's hammer for assistance.
10. Test fit your MDP-9® upper receiver onto your lower receiver.



3rd Party Lower Receiver and Trigger Compatibility

The MDP-9[®] upper is designed to work with a wide range of AR9 GLOCK[®] magazine lower receivers, as well as mil-spec AR-15 receivers.

For the best possible function, we strongly recommend an Angstadt Arms lower receiver, however we have successfully tested the MDP-9[®] upper with several 3rd party receivers. Please note due to 3rd party manufacturing tolerances we can't ensure 100% reliability in every third-party configuration.

For a current list of compatible lower receivers and aftermarket triggers, scan the QR code below or visit www.angstadtarms.com/product/mdp-9-roller-delayed-upper/.

